

TOTAL LENGTH

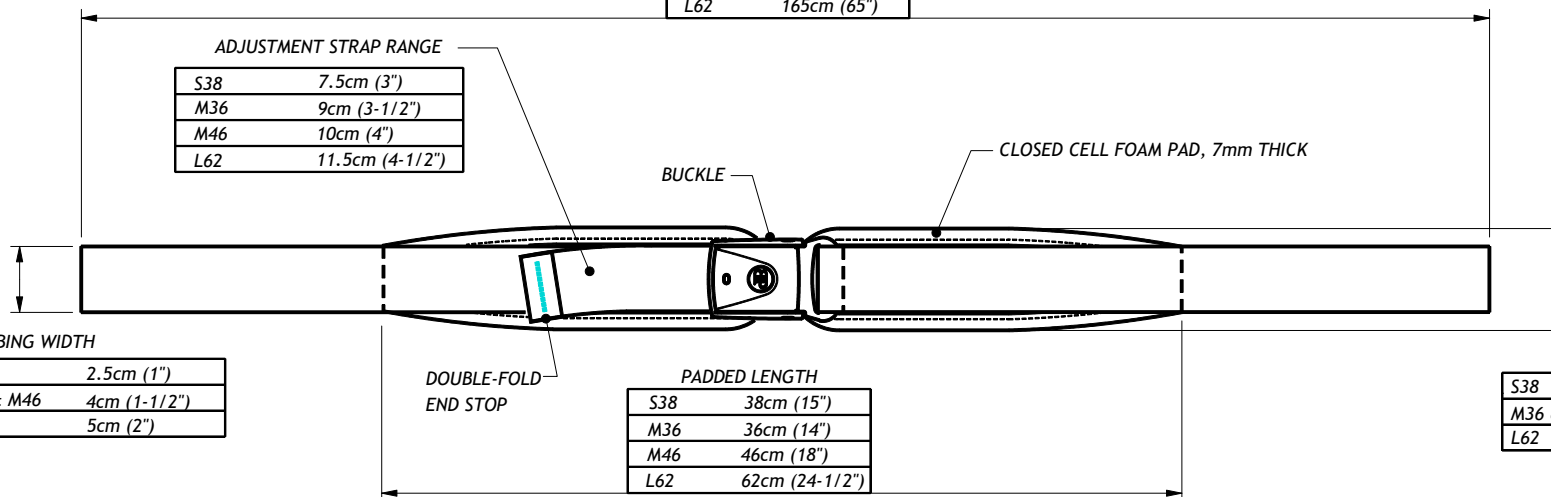
S38	127cm (50")
M36	140cm (55")
M46	152cm (60")
L62	165cm (65")

ADJUSTMENT STRAP RANGE

S38	7.5cm (3")
M36	9cm (3-1/2")
M46	10cm (4")
L62	11.5cm (4-1/2")

CLOSED CELL FOAM PAD, 7mm THICK

BUCKLE



WEBBING WIDTH

S38	2.5cm (1")
M36 & M46	4cm (1-1/2")
L62	5cm (2")

DOUBLE-FOLD
END STOP

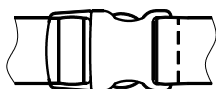
PADED LENGTH

S38	38cm (15")
M36	36cm (14")
M46	46cm (18")
L62	62cm (24-1/2")

PAD WIDTH

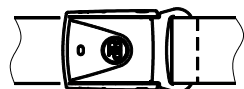
S38	5cm (2")
M36 & M46	5.5cm (2-1/4")
L62	7cm (2-3/4")

GB200-SERIES 2-PT BELTS



PLASTIC
SIDE-RELEASE

SIZE	PART NUMBER
S38	GB215-S38-B5
M46	GB215-M46-B5
L62	GB215-L62-B5



DURALATCH

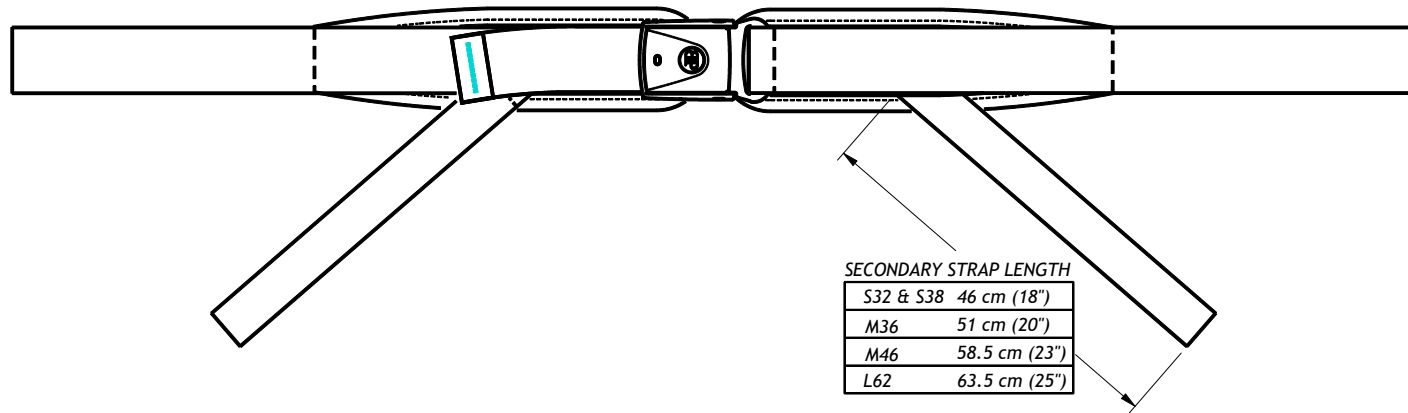
SIZE	PART NUMBER
M36	GB285-M36-B5
M46	GB285-M46-B5
L62	GB285-L62-B5

INCLUDES PLASTIC FLAT-MOUNT™ END FITTINGS

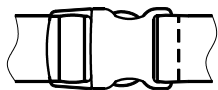
S (1") HKA31-25MM-1
M (1-1/2") HKA31-38MM-1
L (2") HKA31-50MM-1

description			
ESSENTIALS HIP BELT TECHNICAL SPECS			
drawing no.	date originated	drawn by	rev.
D21-0721-01	7/21/2021	M. KOSH	B

ALL DIMENSIONS SAME AS 2-PT MODELS, EXCEPT AS SHOWN

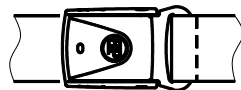


GB400-SERIES 4-PT BELTS



PLASTIC
SIDE-RELEASE

SIZE	PART NUMBER
S38	GB415-S38-B5
M46	GB415-M46-B5
L62	GB415-L62-B5



DURALATCH

SIZE	PART NUMBER
M36	GB485-M36-B5
M46	GB485-M46-B5
L62	GB485-L62-B5

INCLUDES PLASTIC FLAT-MOUNT™ END FITTINGS

S (1") HKA31-25MM-1
M (1-1/2") HKA31-38MM-1
L (2") HKA31-50MM-1

description			
ESSENTIALS HIP BELT TECHNICAL SPECS			
drawing no.	date originated	drawn by	rev.
D21-0721-01	7/21/2021	M. KOSH	B