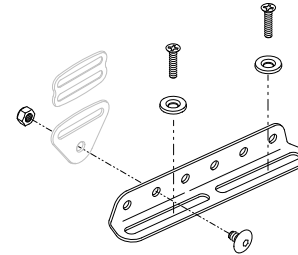
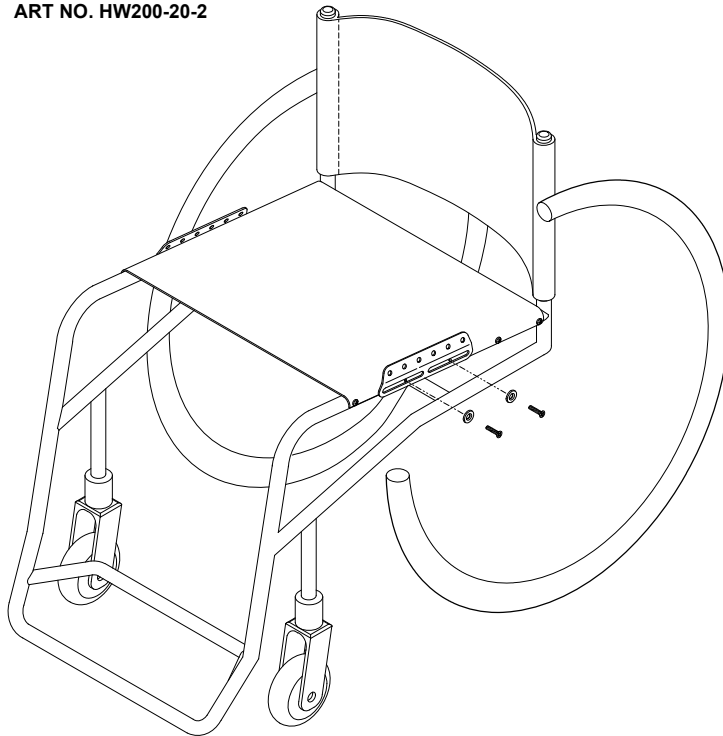


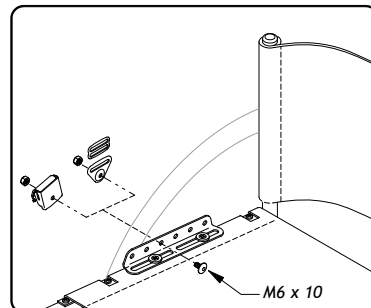
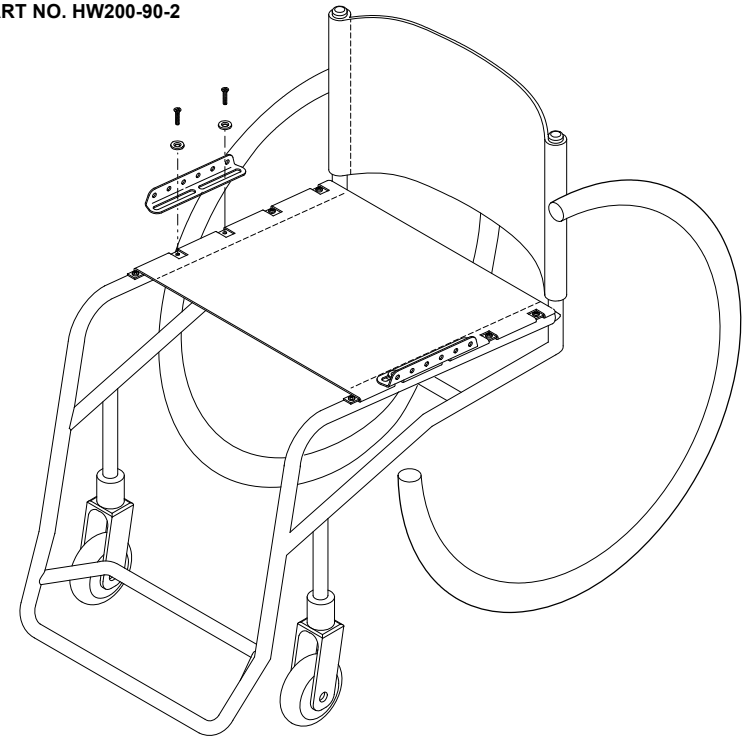
**20°  
MOUNTING  
BRACKET**

ART NO. HW200-20-2

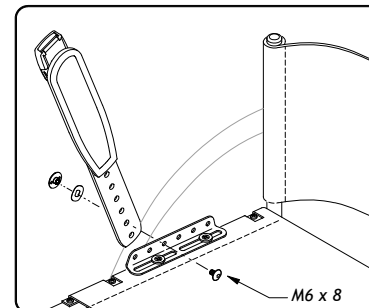


**90°  
MOUNTING  
BRACKET**

ART NO. HW200-90-2



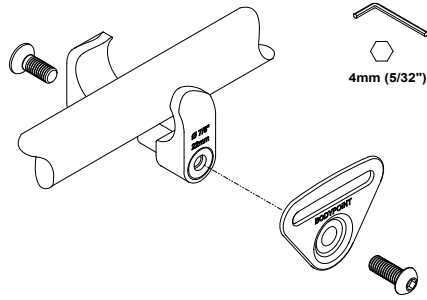
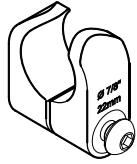
**CINCH-MOUNT™ • FLAT-MOUNT™**



**EVOFLEX®**

## FRAME CLAMP

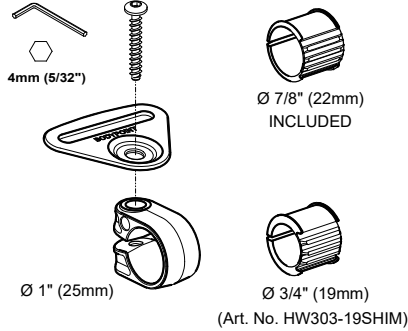
ART NO. HW310-22  
& HW310-25



4mm (5/32")

## FRAMESAVER™ CLAMP

ART NO. HW303



4mm (5/32")

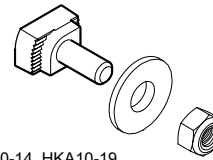
Ø 7/8" (22mm)  
INCLUDED

Ø 1" (25mm)

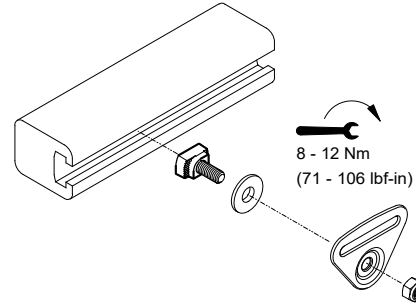
Ø 3/4" (19mm)

(Art. No. HW303-19SHIM)

## T-SLOT FASTENER KIT FOR 10mm T-SLOT

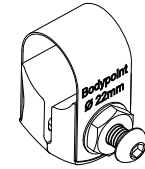


① ART NO. HKA10-14, HKA10-19

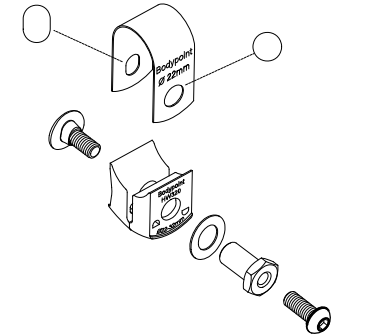


8 - 12 Nm  
(71 - 106 lbf-in)

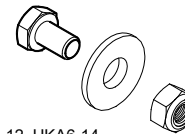
## BAND CLAMP



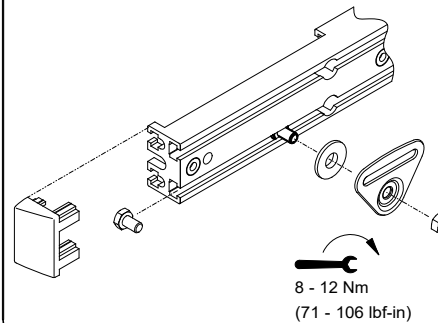
ART NO. HW320-22, HW320-25, HW320-29  
HW320-30, HW320-32, HW320-27X33



## T-SLOT FASTENER KIT FOR 6mm T-SLOT

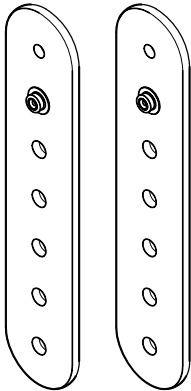


① ART NO. HKA6-12, HKA6-14

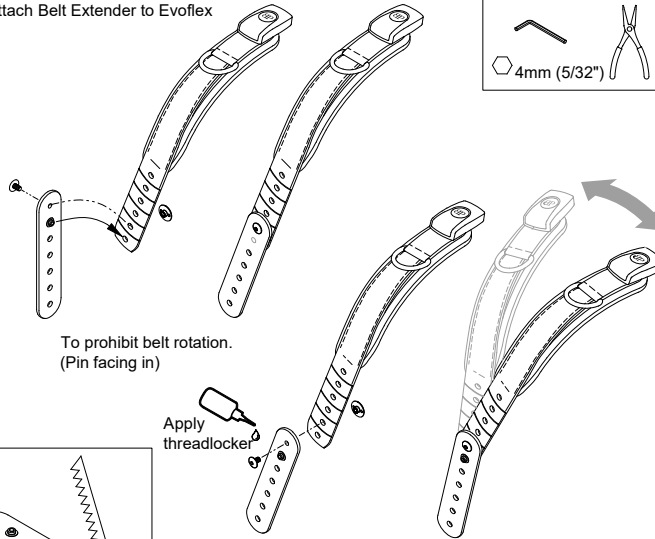


8 - 12 Nm  
(71 - 106 lbf-in)

## EVOFLEX™ BELT MOUNTING EXTENDER



INSTALLATION  
Attach Belt Extender to Evoflex



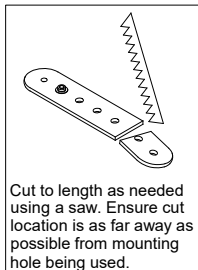
4mm (5/32")

To prohibit belt rotation.  
(Pin facing in)

Apply  
threadlocker

To allow belt rotation.  
(Pin facing out)

ART NO. EBE100



Cut to length as needed  
using a saw. Ensure cut  
location is as far away as  
possible from mounting  
hole being used.

### MOUNTING

Attach Belt Extender and Evoflex to wheelchair.  
Refer to Evoflex product instruction.

 **Bodypoint**®

BPI098 2021.8