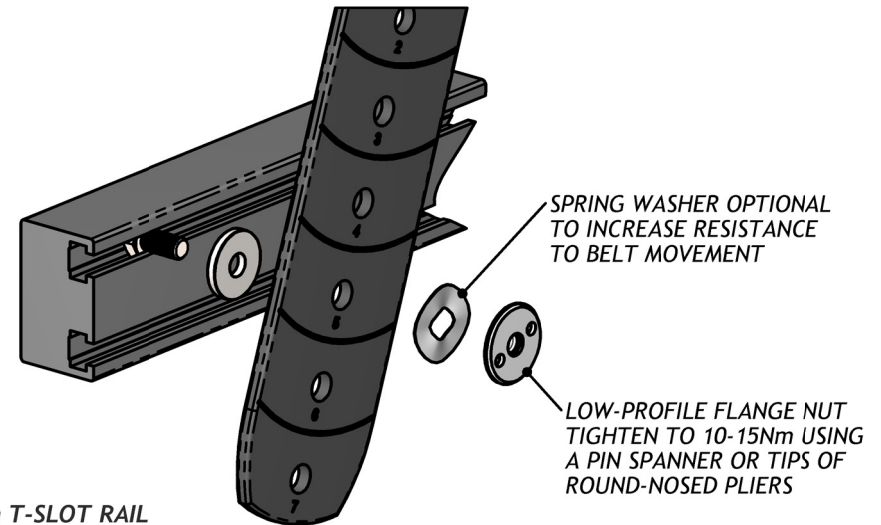
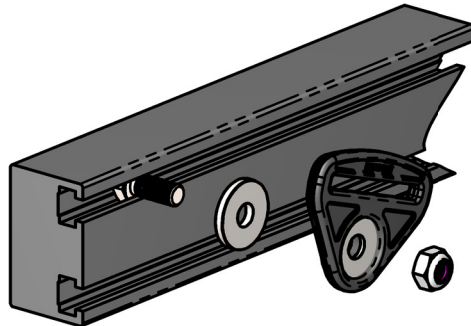


**6mm T-SLOT RAIL—KEY DIMENSIONS
(MEASURE IN MILLIMETERS TO 0.1mm PRECISION)**

6mm T-SLOT RAIL

- HKA1 METAL FLAT-MOUNT or HKA2 CINCH-MOUNT END-FITTING
- HKA6-12MM T-SLOT FASTENER KIT



6mm T-SLOT RAIL

- HKA31 PLASTIC FLAT-MOUNT END-FITTING
- HKA6-14MM T-SLOT FASTENER KIT

6mm T-SLOT RAIL

- EB200-SERIES EVOFLEX BELT OR EBE100 EVOFLEX BELT EXTENDER
- HKA6-12MM T-SLOT FASTENER KIT

**6mm T-SLOT RAILS INCLUDING:
PERMOBIL, NETTI, ROVI, HANDICARE**

description

T-SLOT FASTENER INSTALLATIONS

drawing no.

D20-0806-01

date originated

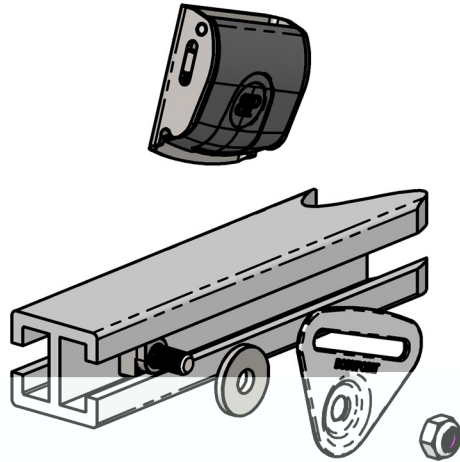
8/6/2020

drawn by

M. KOSH

rev.

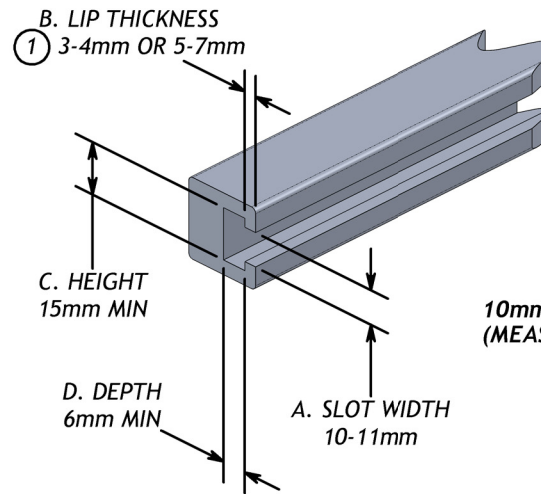
A



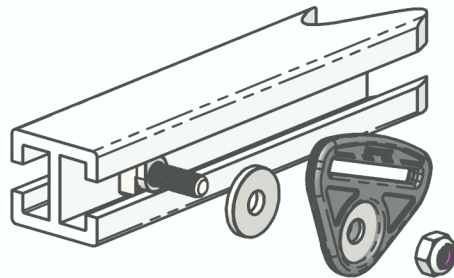
10mm T-SLOT RAIL

- HKA1 METAL FLAT-MOUNT or HKA2 CINCH-MOUNT END-FITTINGS
- HKA10-14MM T-SLOT FASTENER KIT

① If (B) LIP THICKNESS is greater than 4mm, use HKA10-19MM kit

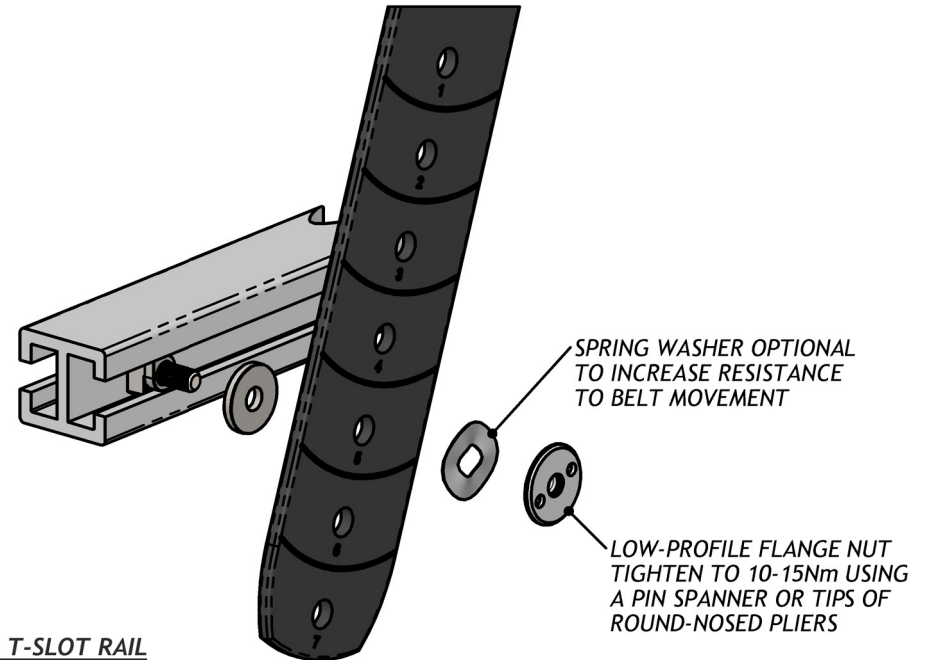


10mm T-SLOT RAIL—KEY DIMENSIONS
(MEASURE IN MILLIMETERS TO 0.1mm PRECISION)



10mm T-SLOT RAIL

- HKA31 PLASTIC FLAT-MOUNT END-FITTINGS
- HKA10-19MM T-SLOT FASTENER KIT



10mm T-SLOT RAIL

- EB200-SERIES EVOFLEX BELT OR EBE100 EVOFLEX BELT EXTENDER
- HKA10-14MM T-SLOT FASTENER KIT

**10mm T-SLOT RAILS, INCLUDING:
INVACARE MODULITE, QUANTUM, AMY SYSTEMS**

description			
T-SLOT FASTENER INSTALLATIONS			
drawing no.	date originated	drawn by	rev.
D20-0806-01	8/6/2020	M. KOSH	A